

8

7

6

5

4

3

2

1

### ORDERING TABLE

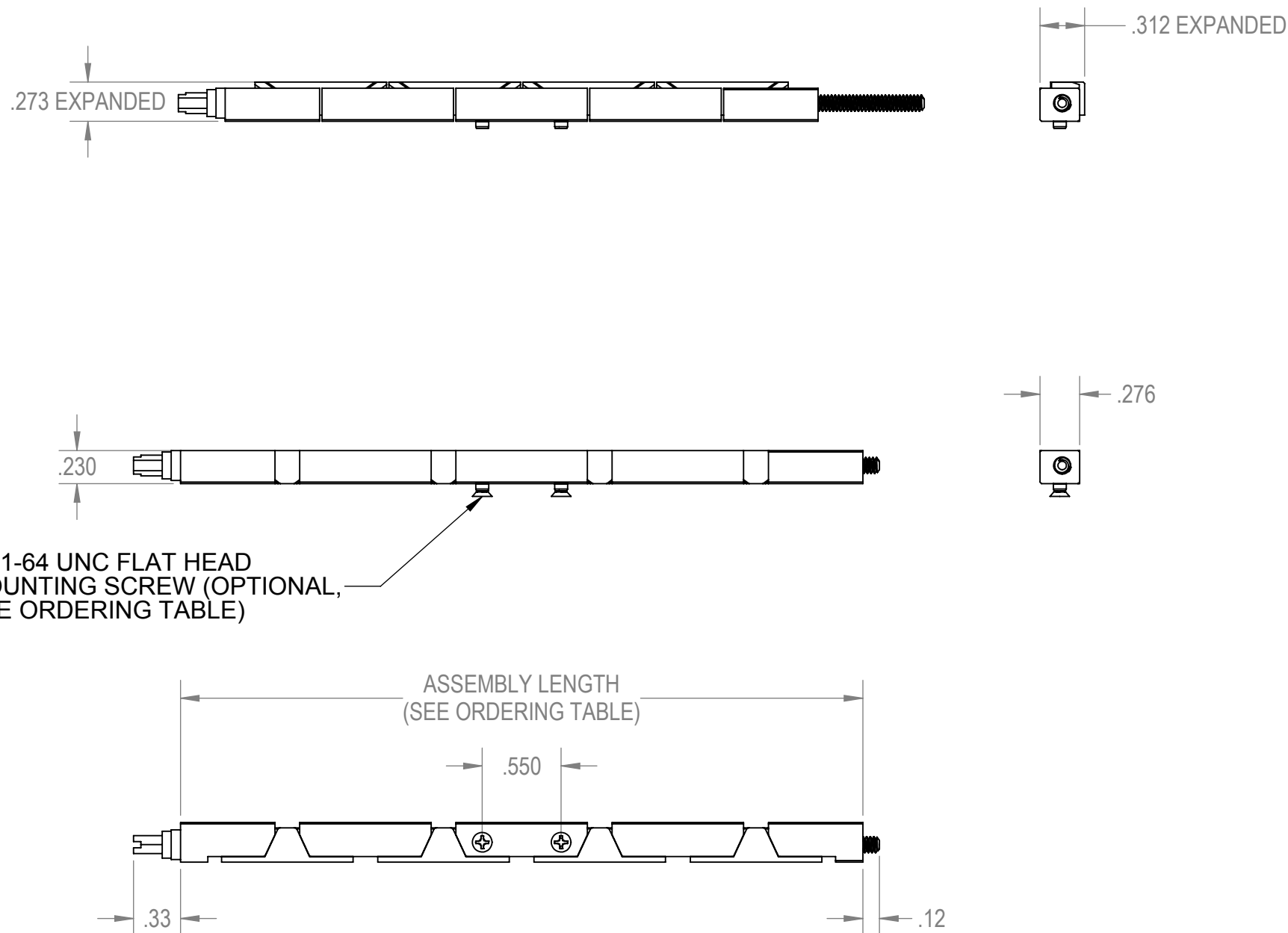
250- 09 T M Y H F N S

<b>Ordering Code</b>	↓							
Set (A & B Assemblies).....[Blank]								
A Assembly (Helicoil in 03 Wedge).....A								
B Assembly (Helicoil in 04 Wedge).....B								
<b>Number of Wedges</b>	↓							
7 Wedges (3.67" Length).....07								
9 Wedges (4.76" Length).....09								
11 Wedges (5.85" Length).....11								
<b>Finish</b>	↓							
Anodize.....A								
Teflon Impregnated Anodize.....T								
Electroless Nickel.....N								
Chem-Film.....C								
Chem-Film Gold.....G								
<b>Mounting</b>	↓							
Middle Wedge.....M								
<b>Mounting Screws</b>	↓							
Included.....Y								
Not Included.....N								
<b>Screw Drive</b>	↓							
Hex Head with Slot.....H								
<b>Screw Locking</b>	↓							
Free running Helicoil.....F								
Locking Helicoil.....L								
<b>Screw Capture</b>	↓							
Non-Captive Screw.....N								
Captive Screw.....C								
<b>Reserved for Future Options</b>	↓							
Standard.....S								

### Ordering Examples

250-09TMYHFNS - Set of 250 Series ICE-Lok™ Assemblies with 9 Teflon impregnated anodized wedges (4.76" end wedge to end wedge length), mounting location on a middle wedge, mounting screws included, non-captive hex head screw with additional slot drive, and non-locking Helicoil for screw.

A250-07AMNHLCS - 250 Series ICE-Lok™ A Assembly with 7 anodized wedges (3.67" end wedge to end wedge length), mounting location on a middle wedge, mounting screws not included, captive hex head screw with additional slot drive, and locking Helicoil for screw.



2X 1-64 UNC FLAT HEAD MOUNTING SCREW (OPTIONAL, SEE ORDERING TABLE)

THIRD ANGLE PROJECTION



Advanced Cooling Technologies, Inc.  
1046 New Holland Ave, Lancaster, PA 17601  
Voice: 717.295.6061 Fax: 717.295.6064 www.1-act.com

UNLESS OTHERWISE NOTED:  
DIMENSIONS ARE IN INCHES  
TOLERANCES ARE:

LINEAR .XX = ±.010  
.XXX = ±.005

ANGULAR ±0°30'

APPROVALS

C. HOSE

CHECKED J. WEYANT

APPROVED X. XXXX

CUSTOMER APPL. X. XXXX

DATE

02MAY2018

02MAY2018

XX/XX/XX

XX/XX/XX

TITLE

250 Series ICE-Lok™

SIZE B DWG. NO. 250-1000

SCALE 1:2 CAGE CODE: 3DTH3

SHEET 1 OF 2

REV.	DESCRIPTION	DATE	APPROVED:
A	INITIAL RELEASE	03MAY2018	C. HOSE
REVISIONS			

8

7

6

5

4

3

2

1

DWG. NO. 250-1000

REV. A

A

8

7

6

5

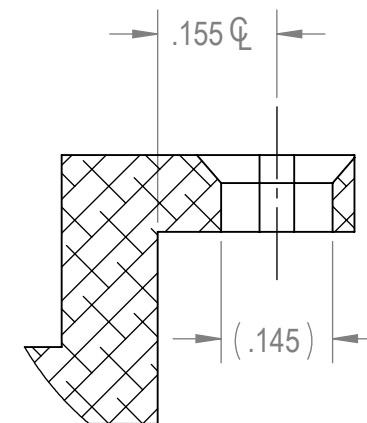
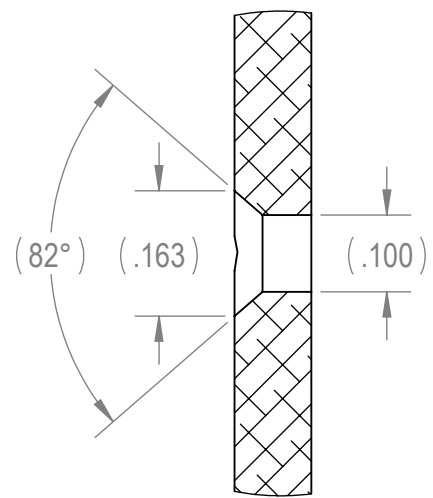
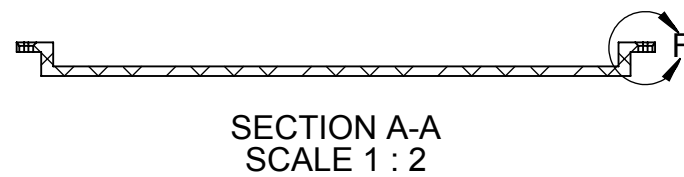
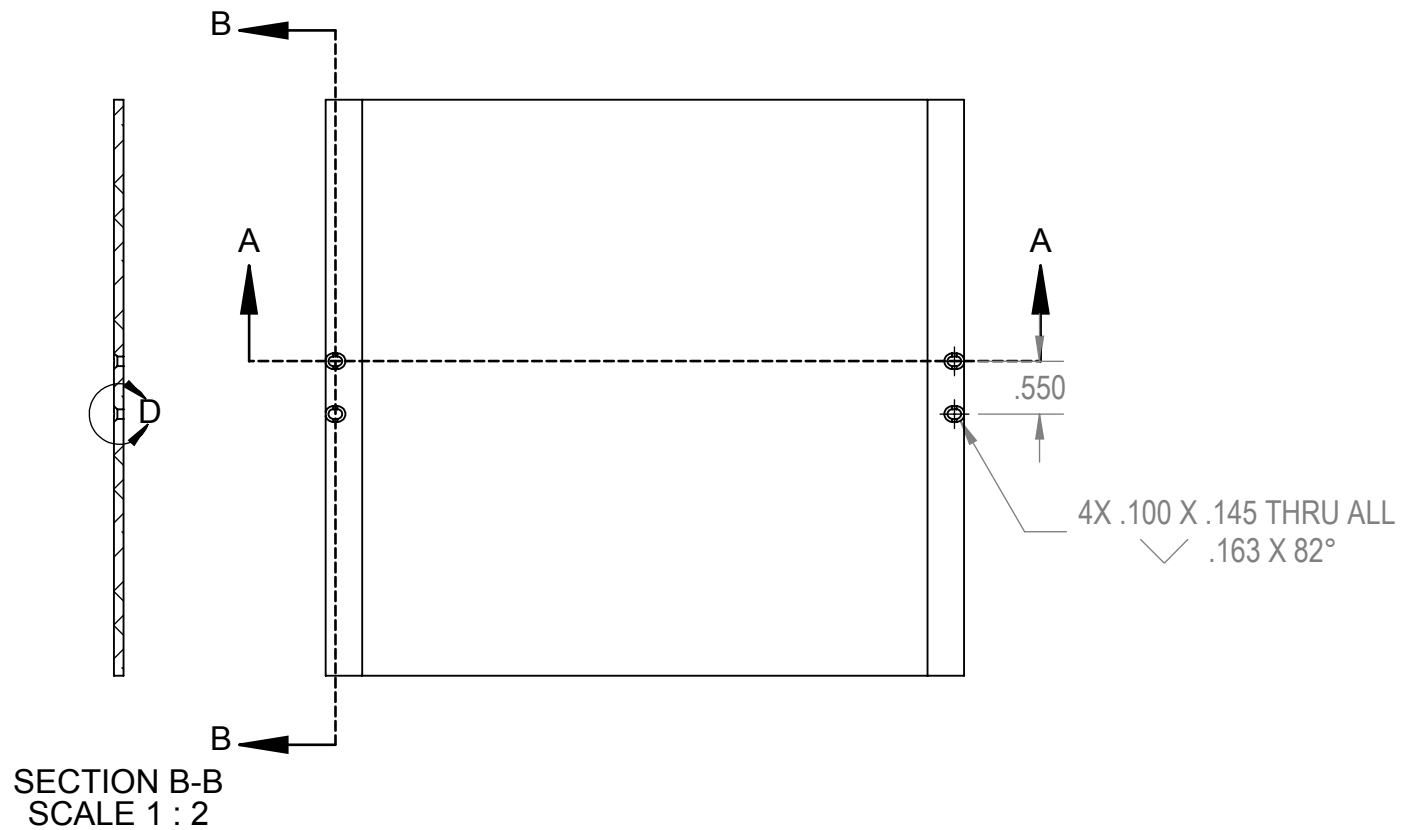
4

3

2

1

# CONDUCTION CARD SLOT DETAILS



8

7

6

5

4

3

2

1