

8

7

6

5

4

3

2

1

ORDERING TABLE

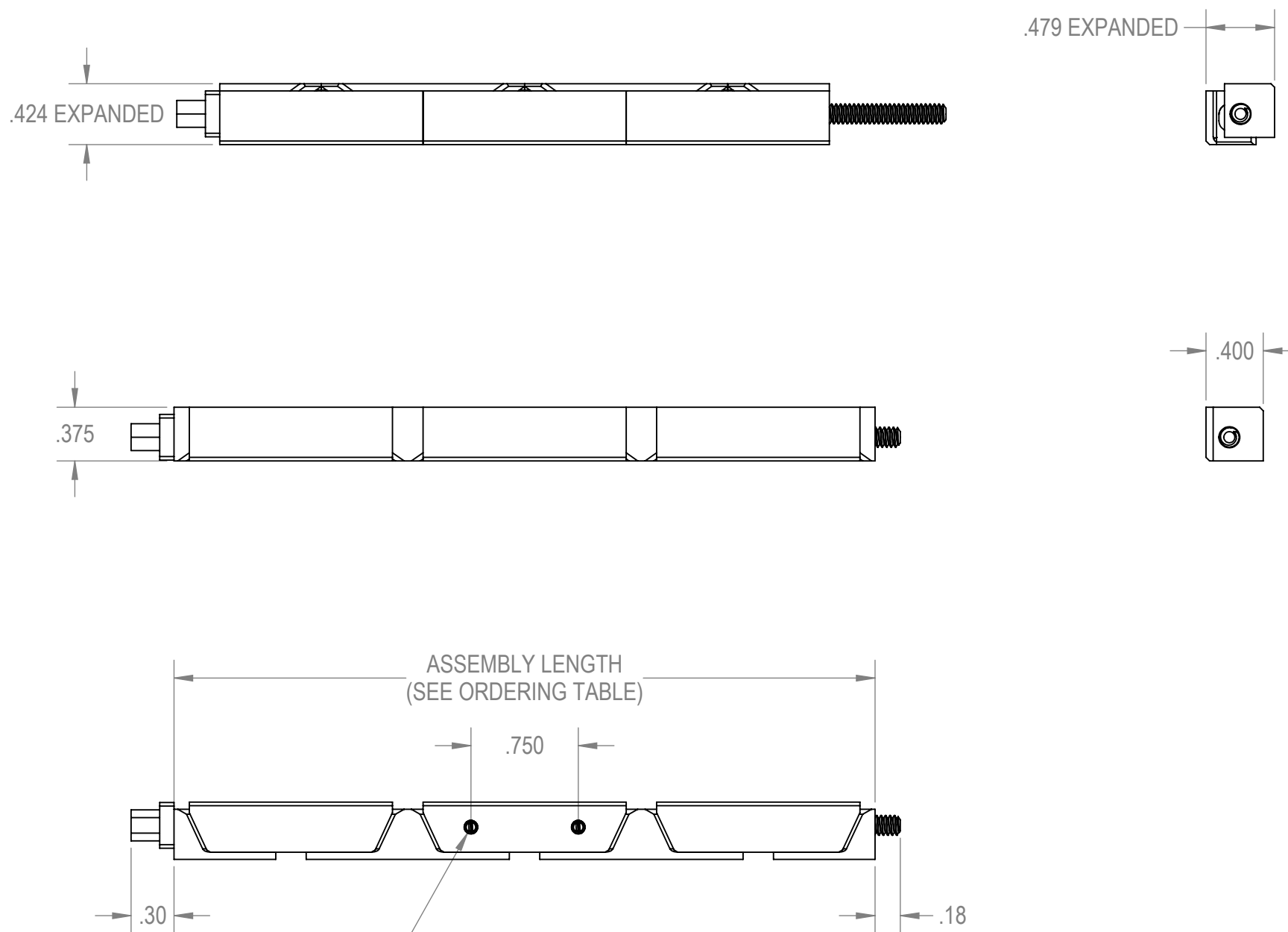
375-09 T M Y H F N S

Ordering Code								
Set (A & B Assemblies).....[Blank]								
A Assembly (Helicoil in 03 Wedge).....A								
B Assembly (Helicoil in 04 Wedge).....B								
Number of Wedges								
5 Wedges (3.27" Length).....05								
7 Wedges (4.90" Length).....07								
9 Wedges (6.53" Length).....09								
Finish								
Anodize.....A								
Teflon Impregnated Anodize.....T								
Electroless Nickel.....N								
Chem-Film.....C								
Chem-Film Gold.....G								
Mounting								
Middle Wedge.....M								
Mounting Screws								
Included.....Y								
Not Included.....N								
Screw Drive								
Hex Head.....H								
Screw Locking								
Free running Helicoil.....F								
Locking Helicoil.....L								
Screw Capture								
Non-Captive Screw.....N								
Captive Screw.....C								
Reserved for Future Options								
Standard.....S								

Ordering Examples

375-09TMYHFNS - Set of 375 Series ICE-Lok™ Assemblies with 9 Teflon impregnated anodized wedges (6.53" end wedge to end wedge length), mounting location on a middle wedge, mounting screws included, non-captive hex head screw, and non-locking Helicoil for screw.

A375-07AMNHLCS - 375 Series ICE-Lok™ A Assembly with 7 anodized wedges (4.90" end wedge to end wedge length), mounting location on a middle wedge, mounting screws not included, captive hex head screw, and locking Helicoil for screw.



2X 2-56 UNC MOUNTING HOLE
(OPTIONAL SCREW PROVIDED
WITH ASSEMBLY, SEE ORDERING
TABLE)

THIRD ANGLE PROJECTION				Advanced Cooling Technologies, Inc. 1046 New Holland Ave., Lancaster, PA 17601 Voice: 717.295.6061 Fax: 717.295.6064 www.1-act.com	
UNLESS OTHERWISE NOTED: DIMENSIONS ARE IN INCHES TOLERANCES ARE:		APPROVALS	DATE	TITLE	
LINEAR .XX = ±.010 .XXX = ±.005		DRAWN C. HOSE	02MAY2018	375 Series ICE-Lok™	
ANGULAR ±0°30'		CHECKED J. WEYANT	02MAY2018		
DO NOT SCALE DRAWING		APPROVED X. XXXX	XX/XX/XX	SIZE B	DWG. NO. 375-1000
INTERPRET DIMENSIONING AND TOLERANCING PER ASME Y14.5		CUSTOMER APPL. X. XXXX	XX/XX/XX	SCALE 1:2	CAGE CODE: 3DTH3
REVISIONS		SHEET 1 OF 2		REV. A	

8

7

6

5

4

3

2

1

8

7

6

5

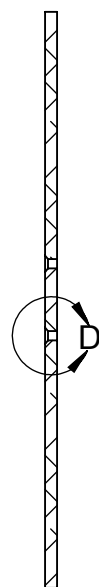
4

3

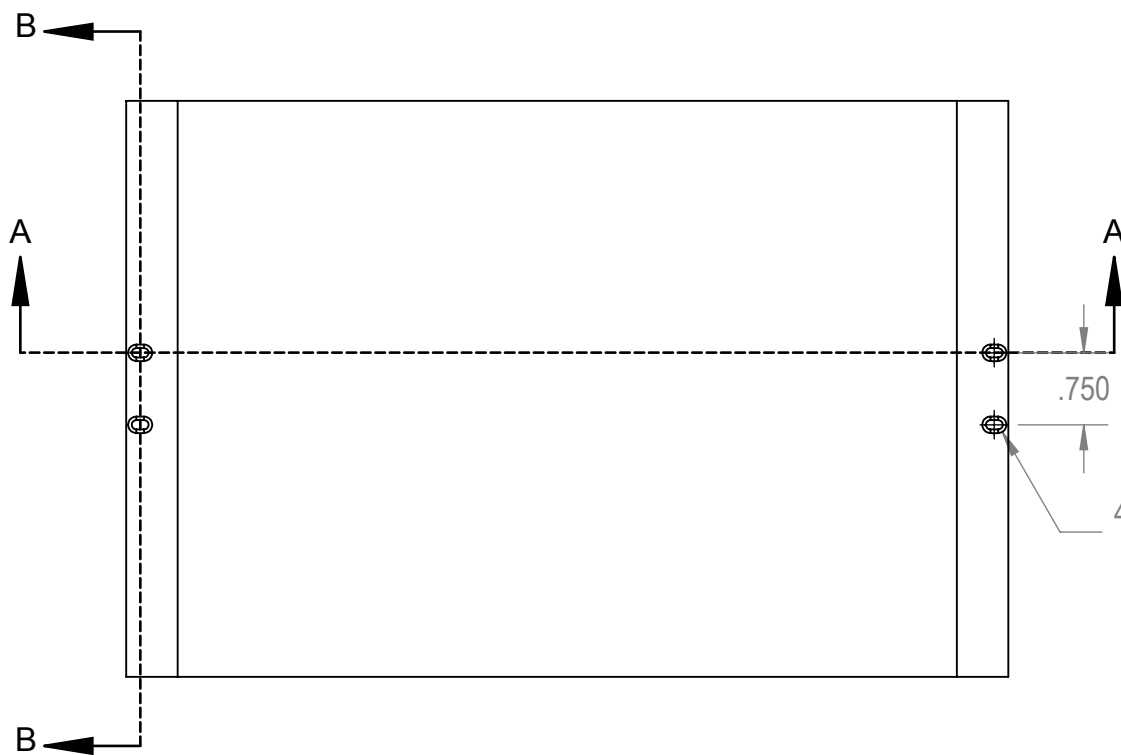
2

1

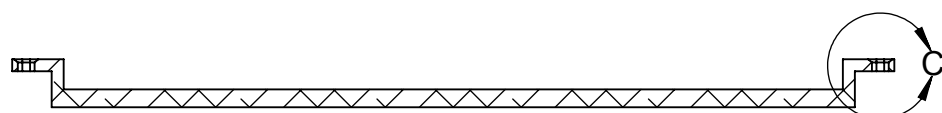
CONDUCTION CARD SLOT DETAILS



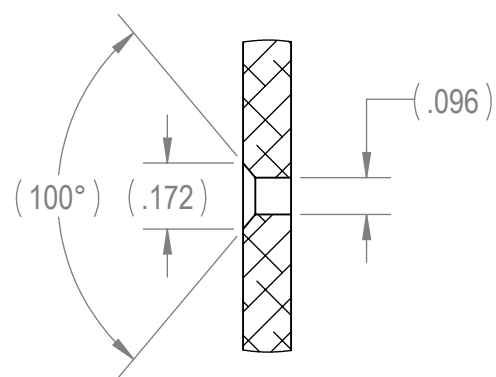
SECTION B-B



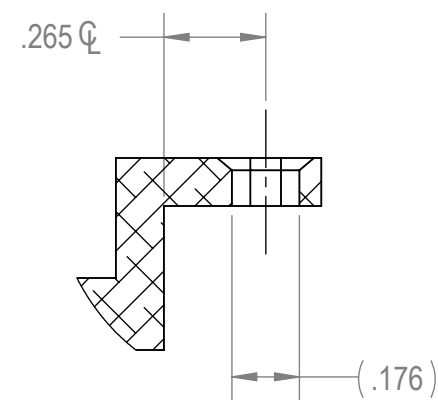
4X .096 X .176 THRU ALL
 .172 X 100°



SECTION A-A



DETAIL D
SCALE 2 : 1



DETAIL C
SCALE 2 : 1

8

7

6

5

4

3

2

1