

**ORDERING TABLE**

375-09 AMYHFNS

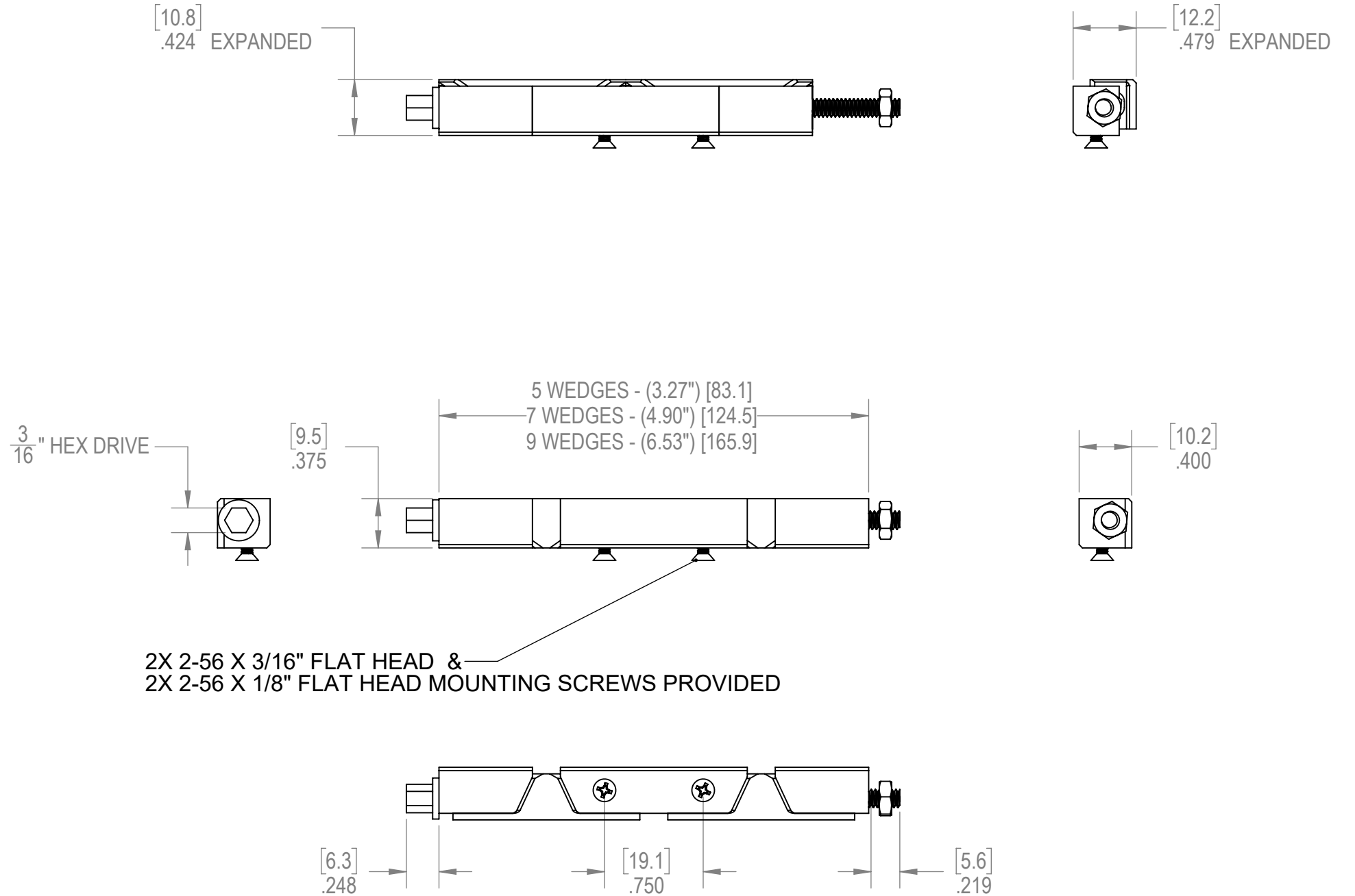
<b>Ordering Code</b>	↓					
Set (A & B Assemblies).....[Blank]						
A Assembly .....	A					
B Assembly .....	B					
<b>Number of Wedges</b>	↓					
5 Wedges (3.27" Length).....	05					
7 Wedges (4.90" Length).....	07					
9 Wedges (6.53" Length).....	09					
<b>Finish</b>	↓					
Anodize.....	A					
Electroless Nickel.....	N					
Chem-Film.....	C					
<b>Mounting</b>	↓					
Middle Wedge.....	M					
<b>Mounting Screws</b>	↓					
Included.....	Y					
<b>Screw Drive</b>	↓					
3/16" Hex Head.....	H					
<b>Screw Locking</b>	↓					
Free running Helicoil.....	F					
Locking Helicoil.....	L					
<b>Screw Capture</b>	↓					
Captive Screw.....	C					
Non-Captive Screw.....	N					
<b>Reserved for Future Options</b>	↓					
Standard.....	S					

**Ordering Examples**

375-09EMYHFNS - Set of 375 Series ICE-Lok™ Assemblies with 9 Electroless Nickel wedges (6.53" end wedge to end wedge length), mounting location on a middle wedge, mounting screws included, non-captive hex head screw, and non-locking Helicoil for screw.

A375-07AMYHLCS - 375 Series ICE-Lok™ A Assembly with 7 anodized wedges (4.90" end wedge to end wedge length), mounting location on a middle wedge, mounting screws included, captive hex head screw, and locking Helicoil for screw.

Custom Finished, Lengths, and other options available upon request. Please contact ACT for more information.



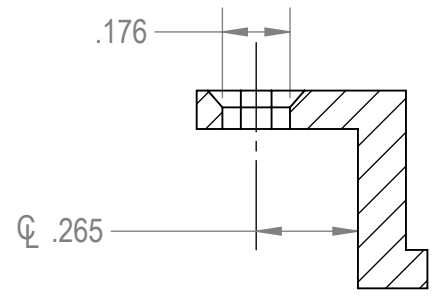
2X 2-56 X 3/16" FLAT HEAD & 2X 2-56 X 1/8" FLAT HEAD MOUNTING SCREWS PROVIDED

ALL INFORMATION ON DRAWING IS FOR CUSTOMER REFERENCE ONLY AND SUBJECT TO CHANGE WITHOUT NOTICE. COPYRIGHT © 2022 ADVANCED COOLING TECHNOLOGIES, INC. NOT TO BE USED AS THE BASIS OF DESIGN, MANUFACTURE, OR SALE WITHOUT PRIOR WRITTEN CONSENT.

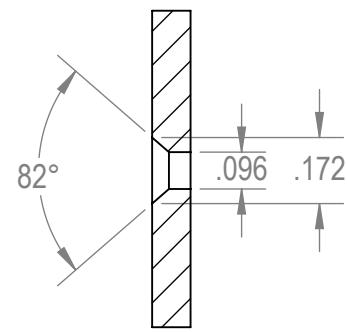
	Advanced Cooling Technologies, Inc. 1046 New Holland Ave. Lancaster, PA 17601 Voice: 717.295.6061 Fax: 717.295.6064 www.1-act.com	
	TITLE <b>375 Series ICE-Lok™</b>	
DWG. NO. 375-1000	REV. C	
SCALE 1:1	RELEASE DATE: 3/22/2022	SHEET 1 OF 2

DWG. NO. 375-1000  
REV. C

# RECOMMENDED CONDUCTION CARD SLOT DETAILS

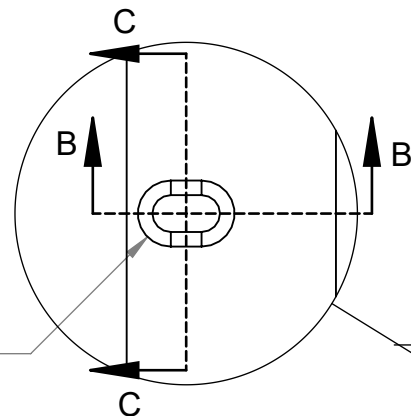


SECTION B-B  
SCALE 2 : 1

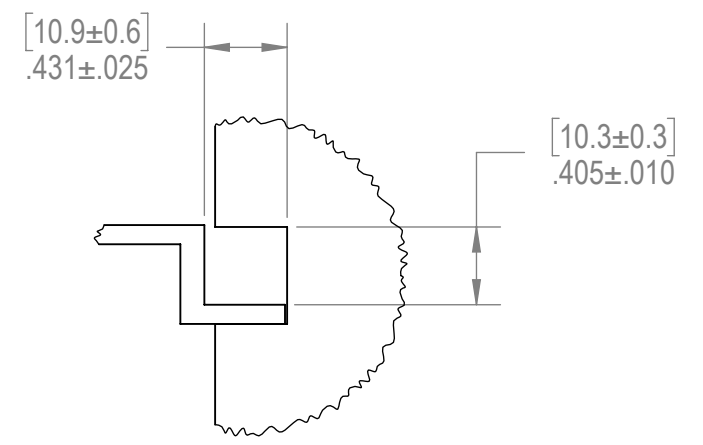
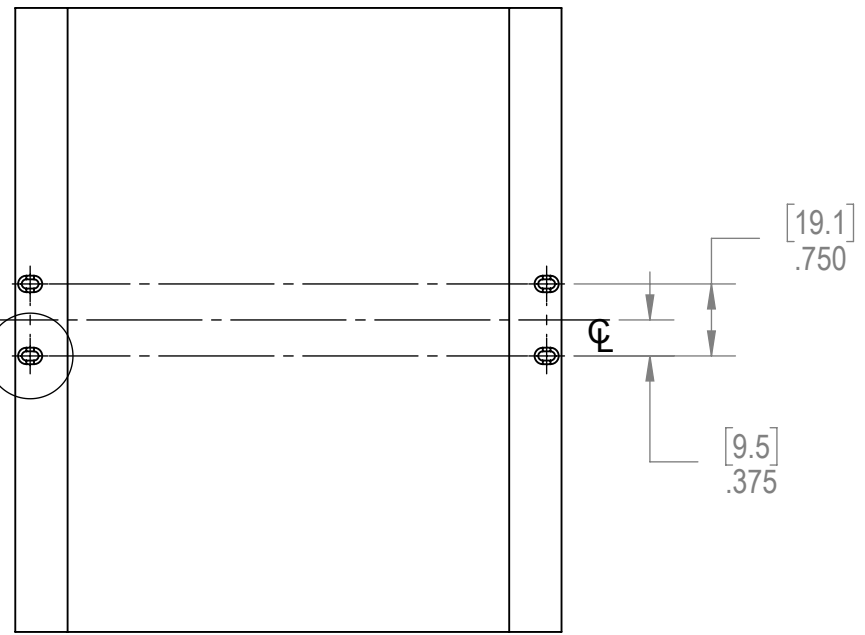


SECTION C-C  
SCALE 2 : 1

4X .096 X .176 THRU ALL  
 $\sphericalangle$  .172 X 82°



DETAIL A  
SCALE 2 : 1



RECOMMENDED CARD GUIDE &  
CONSTRUCTION CARD DETAILS  
SCALE 1:1